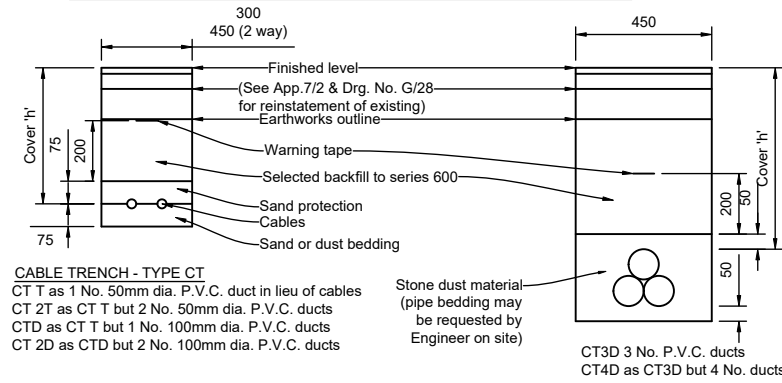
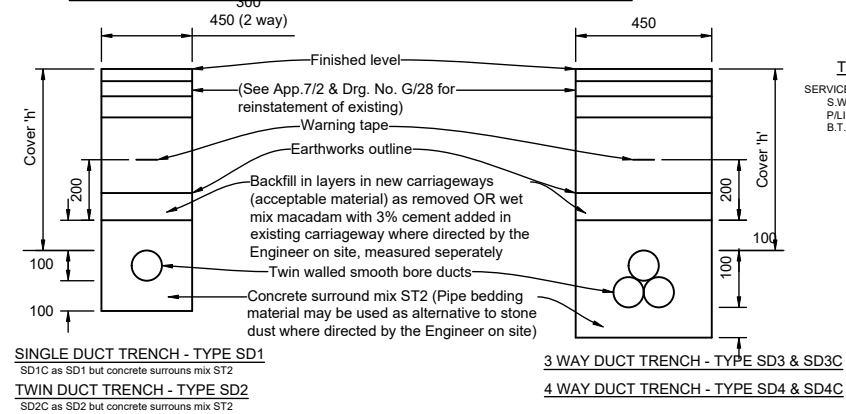


**A. CABLE / DUCT TRENCH IN VERGES AND FOOTWAYS**

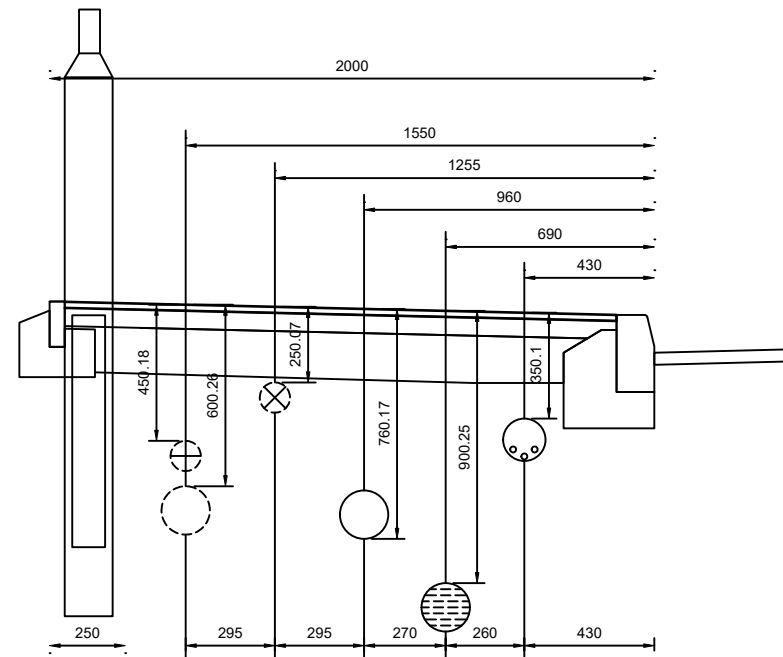


**A. CABLE / DUCT TRENCH IN VERGES AND FOOTWAYS**



**DUCT NOTES:**

- For position of duct and trenches see Contract Drawings.
- Acceptable material to comply with Clause 601 of the Specification and to be backfilled and compacted in accordance with Clause 505 of the Specification.
- Concrete mix ST1 to comply with Clause 2602 of the Specification.
- Ducts to be of smooth internal bore complying with Clause 501 of the Specification.
- Duct trenches in new carriageway are to be excavated before the road-base is laid but through the sub-base (and capping layer).
- Care should be taken to ensure that no damage is caused to ducts laid in trenches prior to the road-base in new carriageways.
- Each duct shall be fitted with draw rope in accordance with Clause 501.9
- Reinstatement of trenches in existing highways shall be done in accordance with Clause 706, Appendix 7/2 (measured separately).
- Ducts laid across the carriageway are to terminate 1.0m behind edge of carriageway in footpath or verge unless agreed otherwise with the Engineer.
- For trenches in existing pavement see City & County of Swansea Drg. No. SD/G/28
- All trenchwork to be done by the Contractor unless otherwise stated.
- Contractor to supply Public Lighting ducts S.W.E. ducts.
- All ducts in carriageway to be twin walled smooth bore complying with BS 4660 and Clause 501.



**RECOMMENDED ARRANGEMENT OF SERVICES IN A 2.0m FOOTWAY**

**General Notes**

- ALL DIMENSIONS ARE INDICATIVE AND IN METRES UNLESS NOTED OTHERWISE.
- DO NOT SCALE THIS DRAWING, USE FIGURED DIMENSIONS ONLY.
- ALL LEVELS ARE IN METRES ABOVE ORDINANCE DATUM (AOD) BASED ON THE TOPOGRAPHICAL SURVEY DRAWING SUPPLIED BY THE CLIENT.
- ANY DISCREPANCIES TO BE REPORTED TO THE ENGINEER.
- THIS DRAWING IS TO BE READ IN CONJUNCTION WITH ALL OTHER RELEVANT ARCHITECTS AND ENGINEERS DRAWINGS AND SPECIFICATIONS.
- THE SPECIFICATION IN ALL ASPECTS SHALL BE IN ACCORDANCE WITH THE CURRENT RESIDENTIAL DESIGN GUIDE AND SPECIFICATION IN FORCE WITHIN THE COUNTY AT THE TIME OF CONSTRUCTION.
- COPYRIGHT OF THIS DRAWING IS RETAINED BY THE ENGINEER AND IT MUST NOT BE REPRODUCED IN WHOLE OR PART WITHOUT WRITTEN CONSENT.
- FOR ADAPTABLE HIGHWAYS, CBR VALUES TO BE CONFIRMED BY INSITU TESTS UNDERTAKEN IN ACCORDANCE WITH LOCAL HIGHWAY AUTHORITY SPECIFICATIONS.
- WORKS TO BE UNDERTAKEN IN ACCORDANCE WITH THE SPECIFICATION FOR HIGHWAY WORKS (SHW), LATEST EDITION AND THE CURRENT BRITISH STANDARDS.
- SHW CLAUSE NUMBERS SHALL APPLY IN THE EVENT OF CONFLICTING INFORMATION.
- THESE DETAILS INCLUDE THE USE OF HEAVY KERB/PAVING PRODUCTS WHICH THE CONTRACTOR IS EXPECTED TO HANDLE USING APPROPRIATE MECHANICAL HANDLING AIDS IN ACCORDANCE WITH HSE GUIDANCE.

No.	Revision/Issue	Date
A	For S38/278 Submission	01.03.2023

**Firm Name and Address**

**LvW Highways**  
 Lw Highways Ltd  
 Blaenparc  
 Felinham Uchaf  
 Carmarthen  
 SA32 7PR  
 Tel: 01267 290769  
 Mbl: 07769 226695

**Project Name and Address**

Land at Gwelfor,  
 Heol Llanelli, Trimsaran,  
 Carmarthenshire.  
 Cable Ducting  
 Construction Details

Project	2022-730	Sheet	
Date	01.03.2023		605
Scale	1:250@A3L		