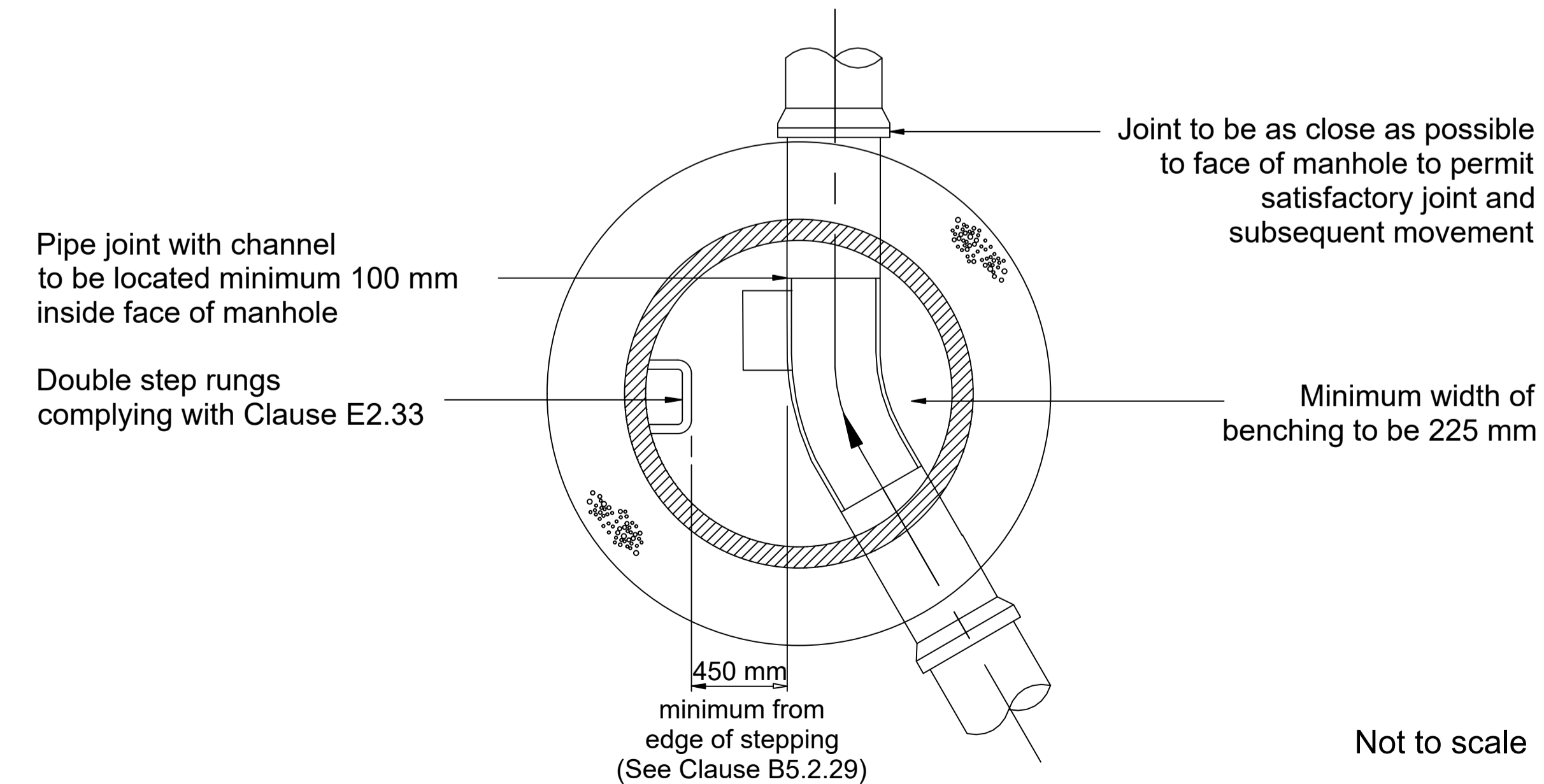
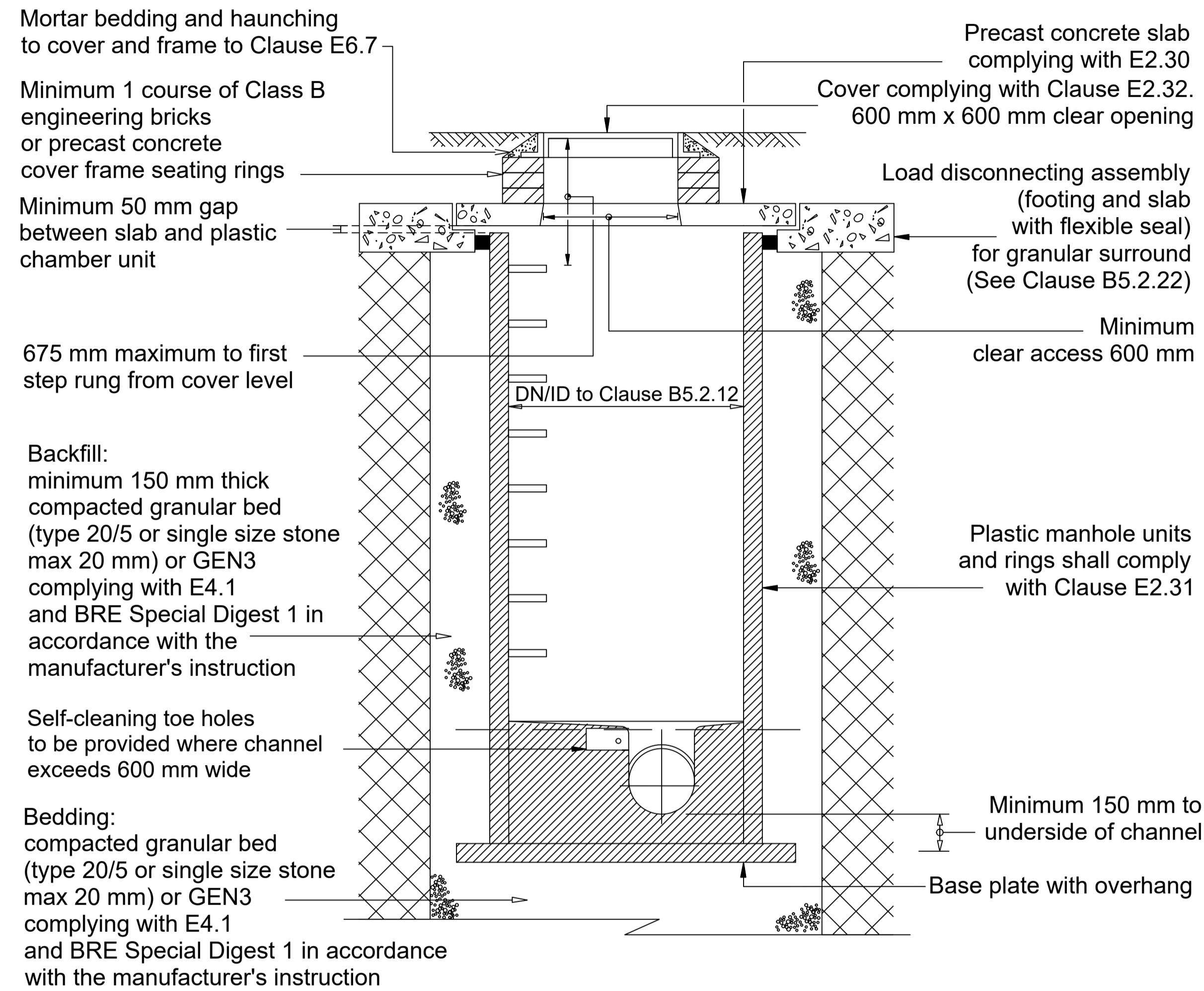


Figure B 12
Typical manhole detail - Type B

Depth from cover level to soffit of pipe 1.5 m to 3 m
Flexible material construction



General Notes

1. ALL DIMENSIONS ARE INDICATIVE AND IN METRES UNLESS NOTED OTHERWISE.
2. DO NOT SCALE THIS DRAWING. USE FIGURED DIMENSIONS ONLY.
3. ALL LEVELS ARE IN METRES ABOVE ORDNANCE DATUM (AOD) BASED ON THE TOPOGRAPHICAL SURVEY DRAWING SUPPLIED BY THE CLIENT.
4. ANY DISCREPANCIES TO BE REPORTED TO THE ENGINEER.
5. THIS DRAWING IS TO BE READ IN CONJUNCTION WITH ALL OTHER RELEVANT ARCHITECTS AND ENGINEERS DRAWINGS AND SPECIFICATIONS.
6. THE SPECIFICATION IN ALL ASPECTS SHALL BE IN ACCORDANCE WITH THE CURRENT RESIDENTIAL DESIGN GUIDE AND SPECIFICATION IN FORCE WITHIN THE COUNTY AT THE TIME OF CONSTRUCTION.
7. COPYRIGHT OF THIS DRAWING IS RETAINED BY THE ENGINEER AND IT MUST NOT BE REPRODUCED IN WHOLE OR PART WITHOUT WRITTEN CONSENT.

A	For S38/278 Submission	03.03.2023
No.	Revision/Issue	Date

Firm Name and Address

LvW Highways

LvW Highways Ltd
Blawer Parc
Fellingwern Uchaf
Carmarthen
SA32 7PR
Tel: 01267 290769
Mbl: 07769 226695

Project Name and Address

Land at Gwelfor,
Heol Llanelli, Trimsaran,
Carmarthenshire.
SFA8 Typical Manhole
Detail Type B

Project	2022-730	Sheet
Date	03.03.2023	606
Scale	1:20@A1L	