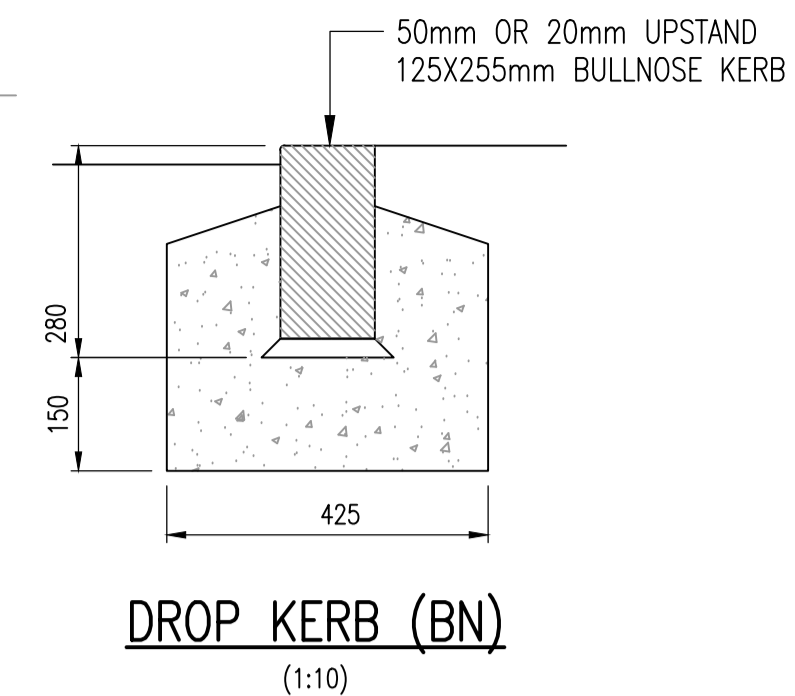
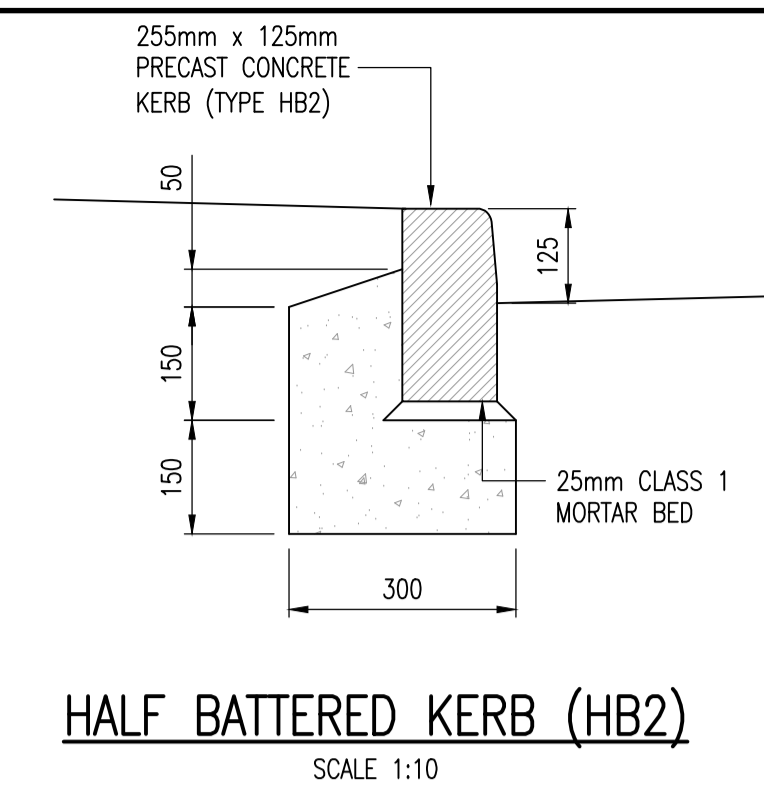


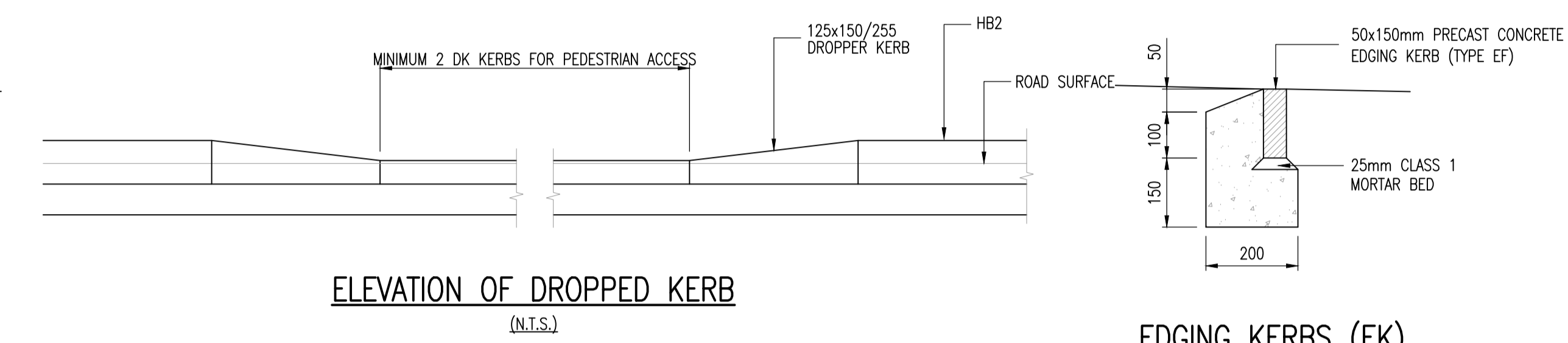
SDS TYPICAL ATTENUATION TANK SECTION
SCALE 1:20



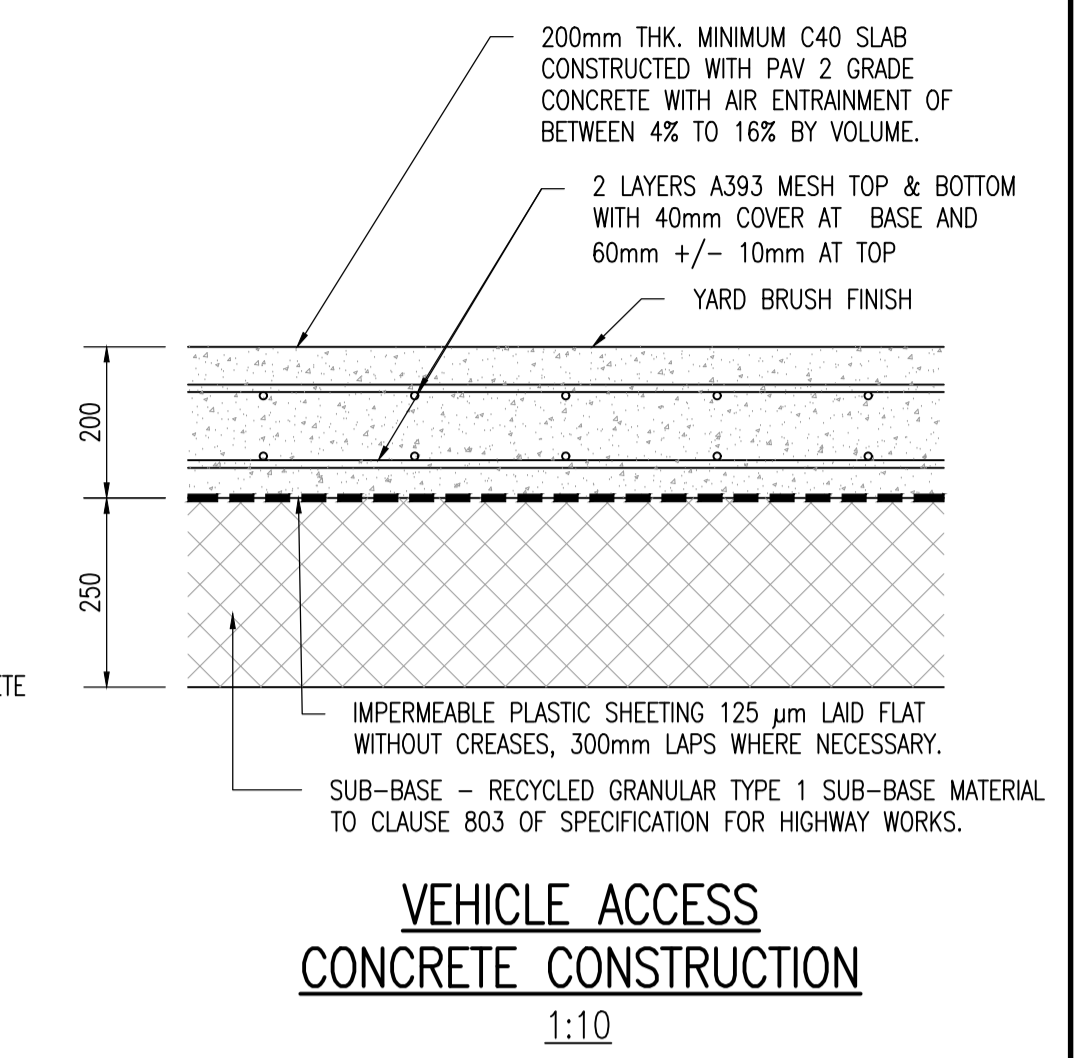
FLUSH BULLNOSE KERB (BN)
(1:10)



HALF BATTERED KERB (HB2)
SCALE 1:10



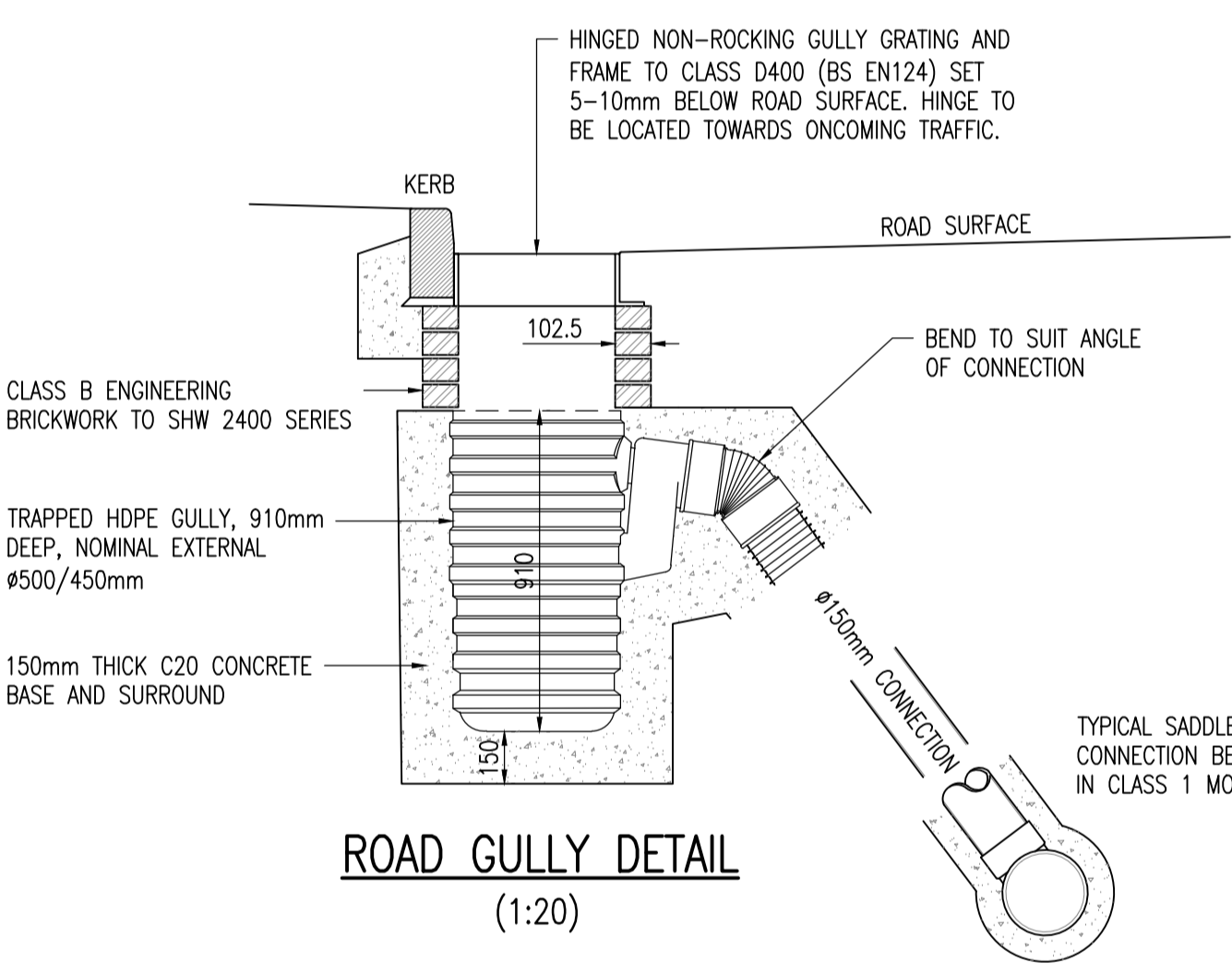
ELEVATION OF DROPPED KERB
(N.T.S.)



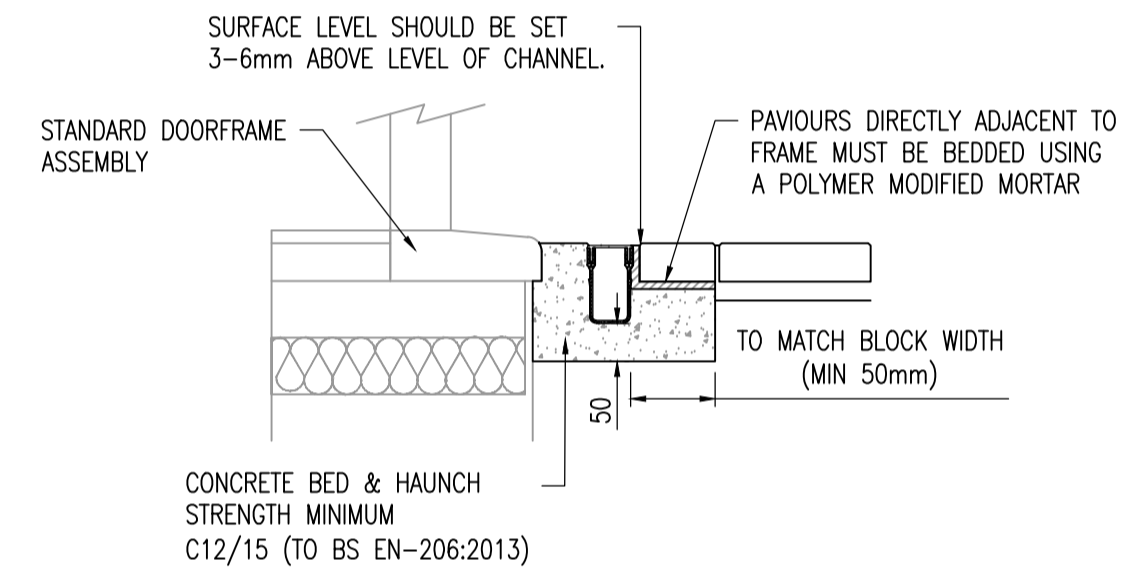
VEHICLE ACCESS CONCRETE CONSTRUCTION
1:10



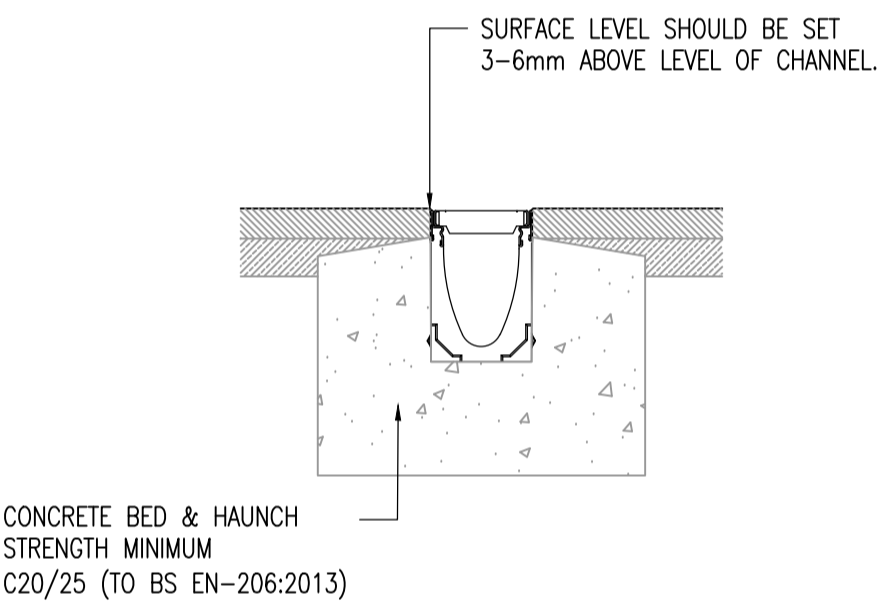
EDGING KERBS (EK)
SCALE 1:10



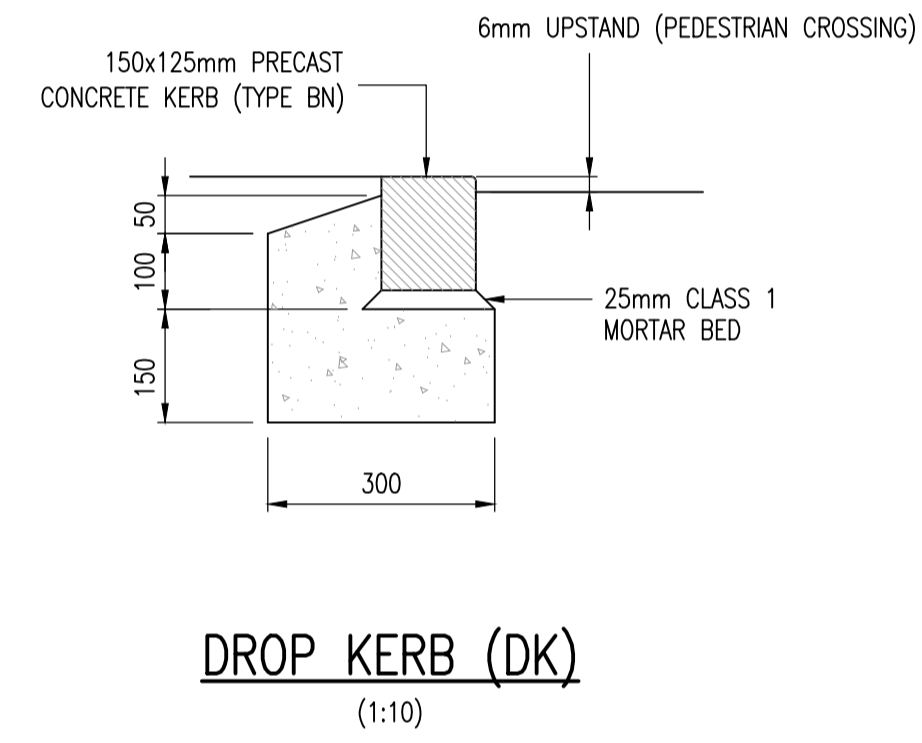
ROAD GULLY DETAIL
(1:20)



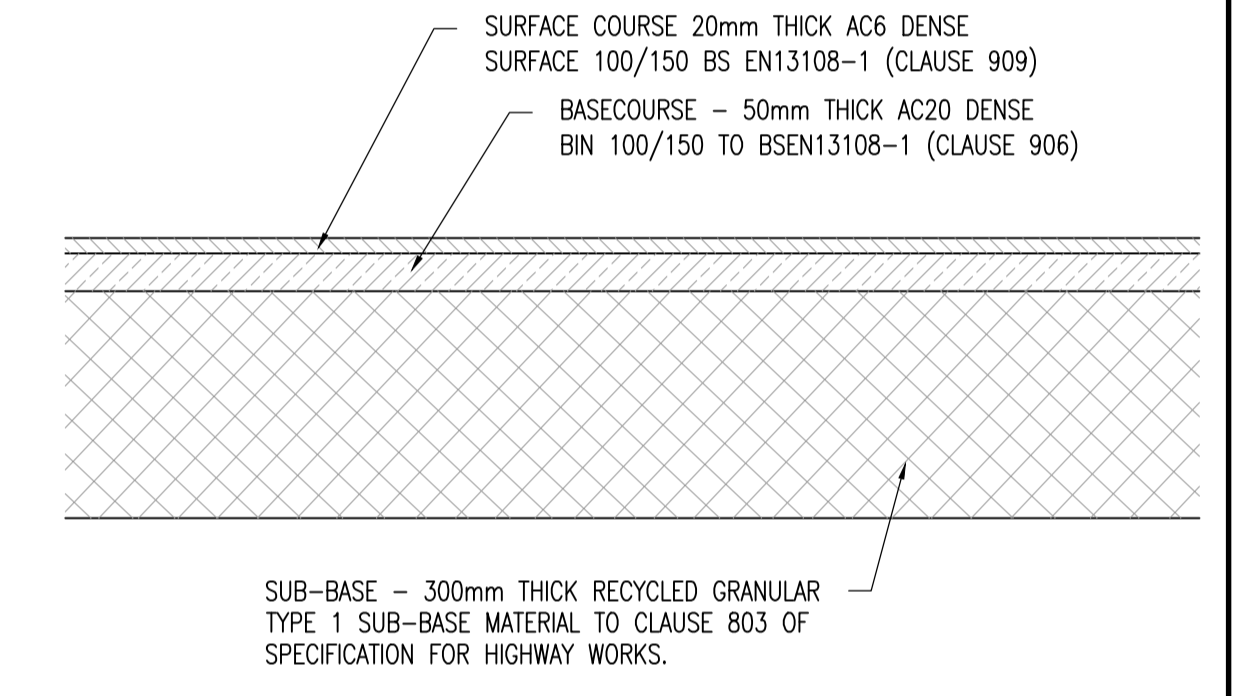
ACO RAINDRAIN A15
(OR SIMILAR APPROVED)
DETAILS FROM ACO DRAWING 24125
SCALE 1:10



ACO MULTIDRAIN
SCALE 1:10

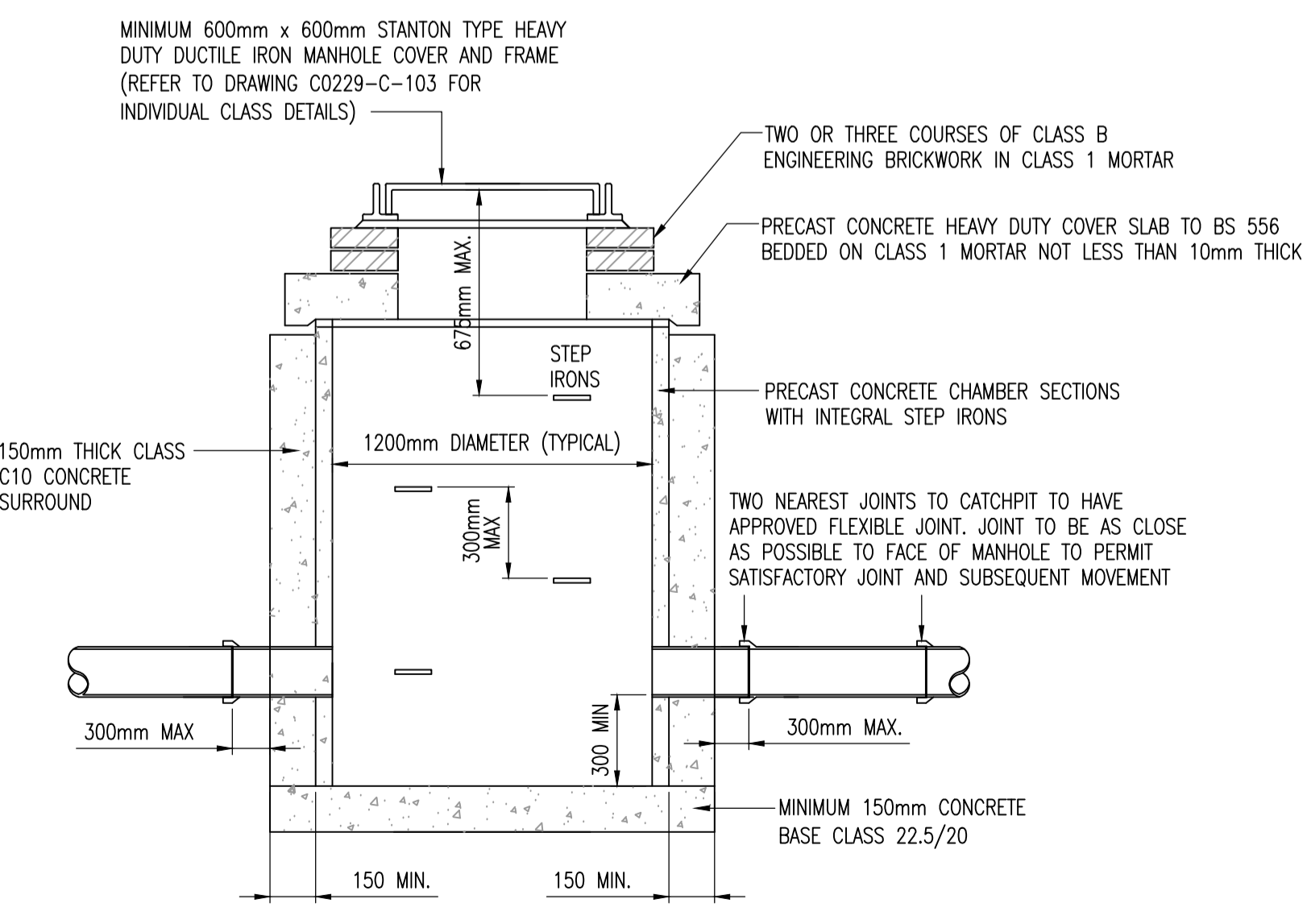


DROP KERB (DK)
(1:10)

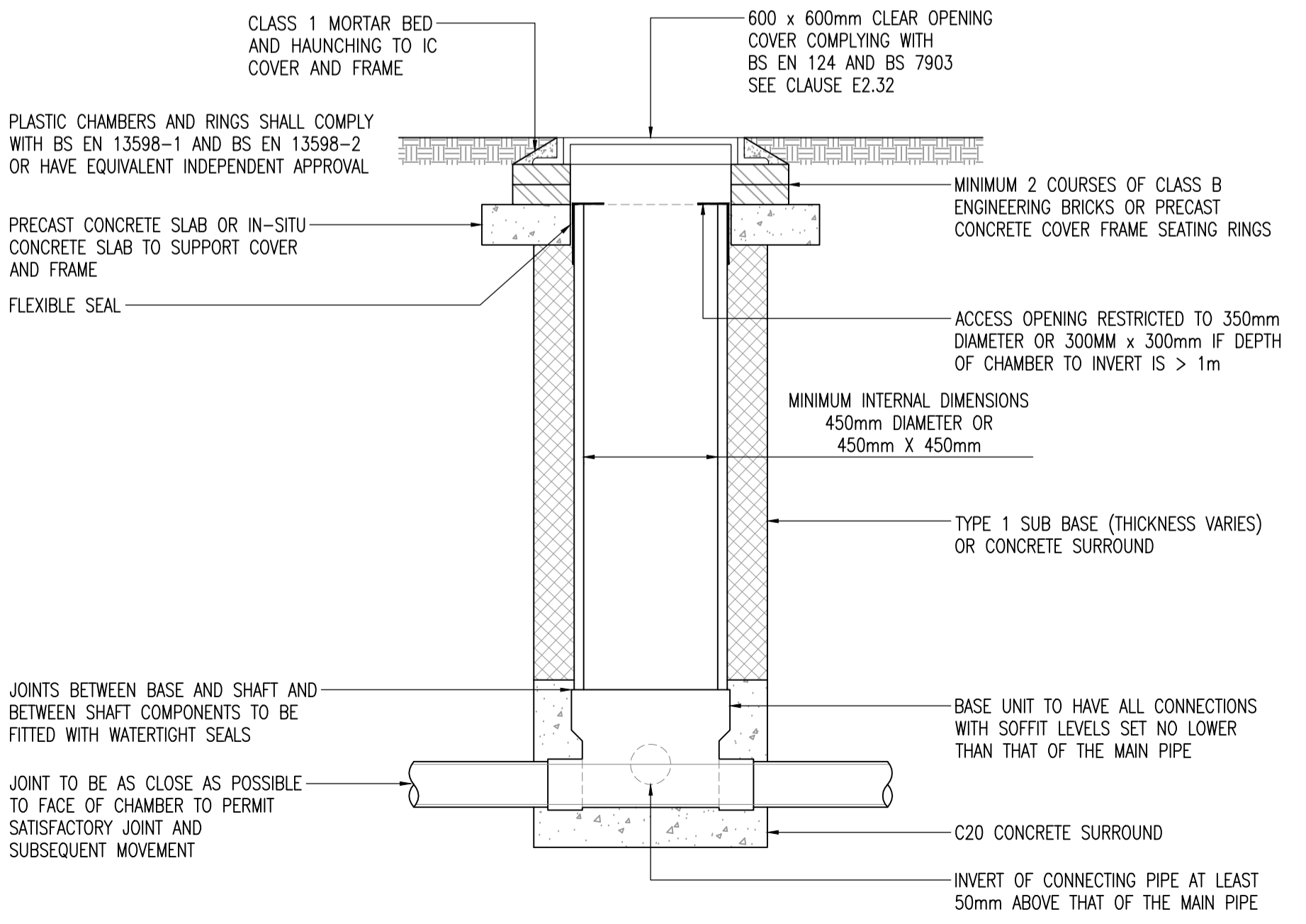


IMPERMEABLE TARMAC CONSTRUCTION
1:10

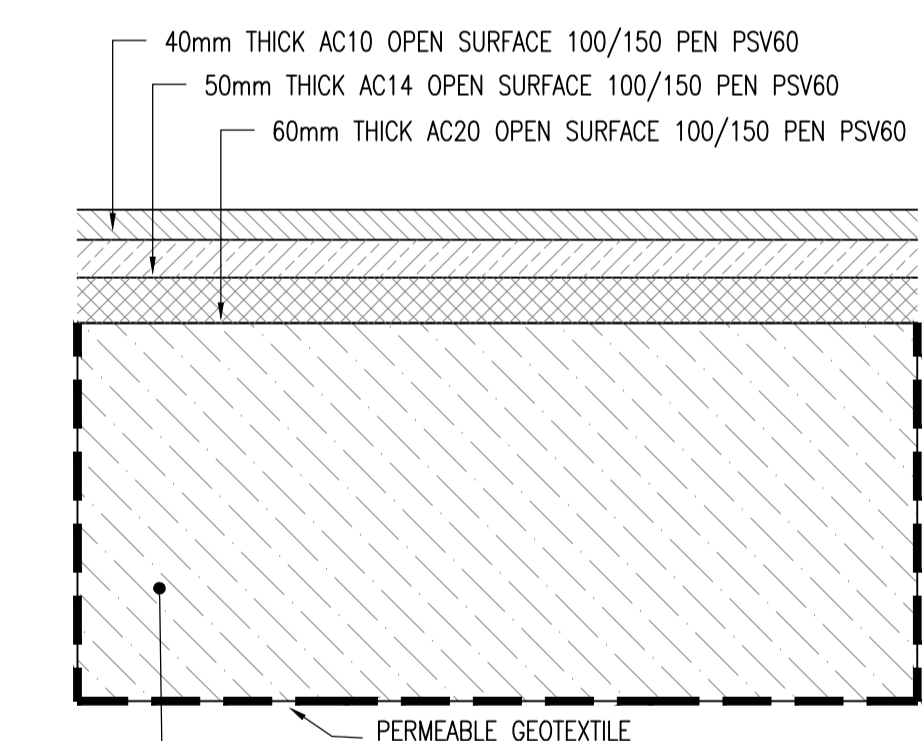
NOTE:
1. IN TRAFFICKED AREAS, 150mm C20 CONCRETE SURROUND REQUIRED FULL HEIGHT OF CHAMBER SHAFT.
2. TYPICALLY CHAMBER DIAMETER SUBJECT TO SUPPLIER SPECIFICATION:
#450mm CHAMBER FOR 5x#100/150mm INLETS (3000mm DEEP)
#600mm CHAMBER FOR 3x#150-300mm INLETS (3000mm DEEP)



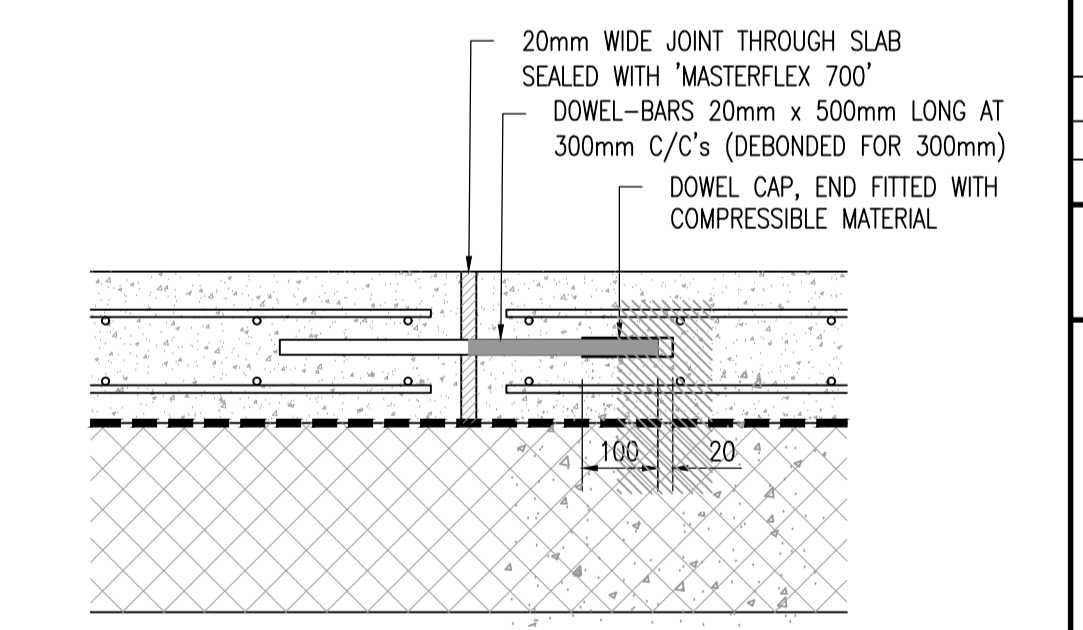
CATCHPIT MANHOLE
SCALE 1:20



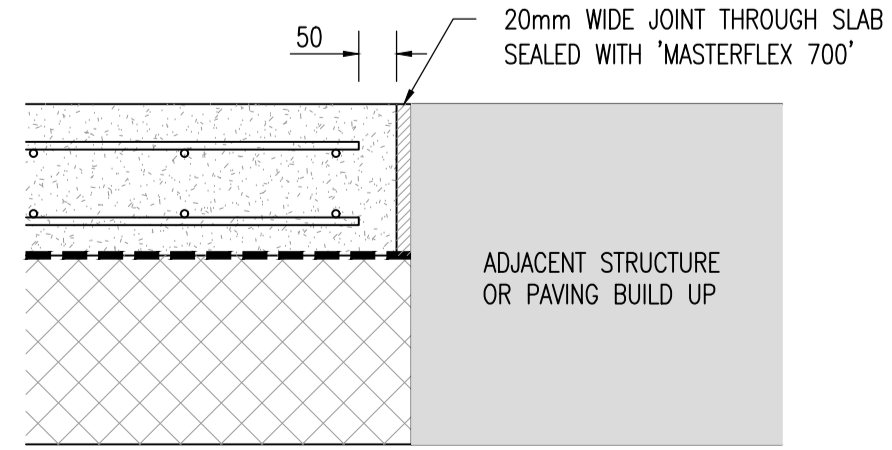
INSPECTION CHAMBER TYPE 3 (FLEX)
MAXIMUM DEPTH TO SOFFIT OF PIPE
IN AREAS SUBJECT TO VEHICLE LOADING 3m NON-ENTRY
(1:10)



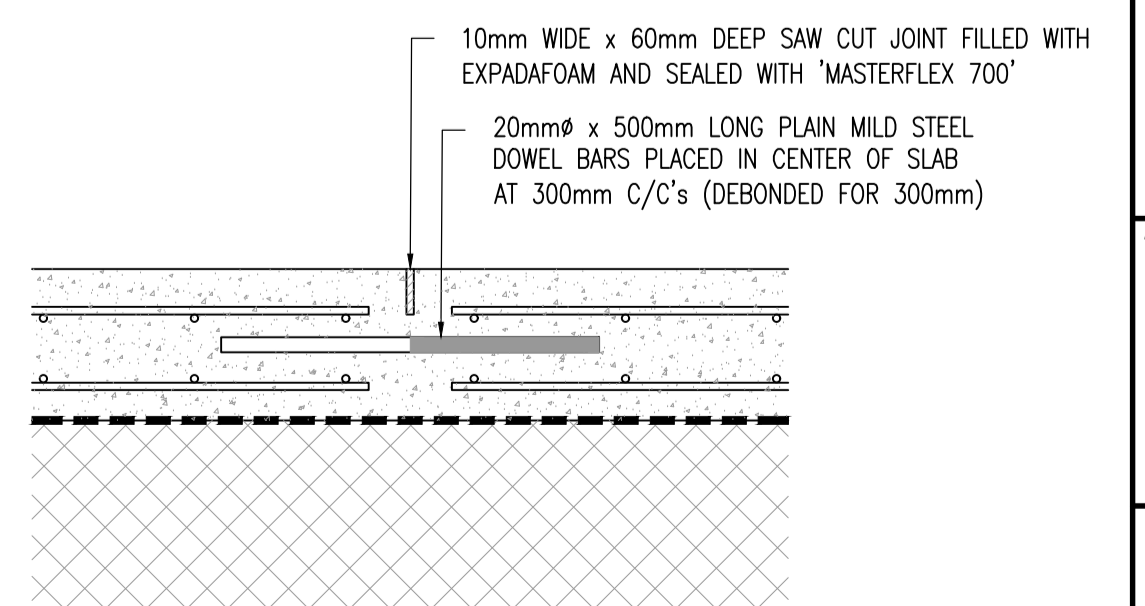
PERMEABLE TARMAC CONSTRUCTION
1:10



LONGITUDINAL JOINT (L.J.) CONCRETE CONSTRUCTION
1:10



BUILDING JOINT (B.J.) CONCRETE CONSTRUCTION
1:10



TRANSVERSE JOINT (T.J.) CONCRETE CONSTRUCTION
1:10

- GENERAL NOTES**
- DO NOT SCALE THIS DRAWING.
 - CONTRACTOR TO CHECK ALL DIMENSIONS AND REPORT ALL ERRORS AND OMISSIONS TO THE ENGINEER.
 - ANY DISCREPANCY TO BE REPORTED IMMEDIATELY TO THE ENGINEER.
 - THIS DRAWING TO BE READ IN CONJUNCTION WITH ALL RELEVANT ARCHITECTS, SUBCONTRACTORS AND SPECIALISTS DRAWINGS AND SPECIFICATIONS.

| | | | |
|-----|--------------------|----|----------|
| Rev | Detail | By | Date |
| A | KERB DETAILS ADDED | CH | 08.09.22 |

CB3 CONSULT
Structural & Civil Engineering Consultants
First Floor
7 St James Crescent
Swindon
SA14DP
Telephone +44 1792 473 182
e-mail admin@cb3consult.co.uk
web www.cb3consult.co.uk

Client
WALES & WEST UTILITIES
Project
PROPOSED DEPOT CULLOMPTON
Drawing Title
EXTERNAL STANDARD DETAILS

PRELIMINARY

| | |
|-----------------------------|------------------------------|
| Project No. C1701 | Drawing No. C-SK03 |
| Scales AS SHOWN | Date 17.08.22 |
| Drawn CH | Checked DH |
| Sheet Size A1 | Revision A |

© This drawing may not be copied without prior written permission