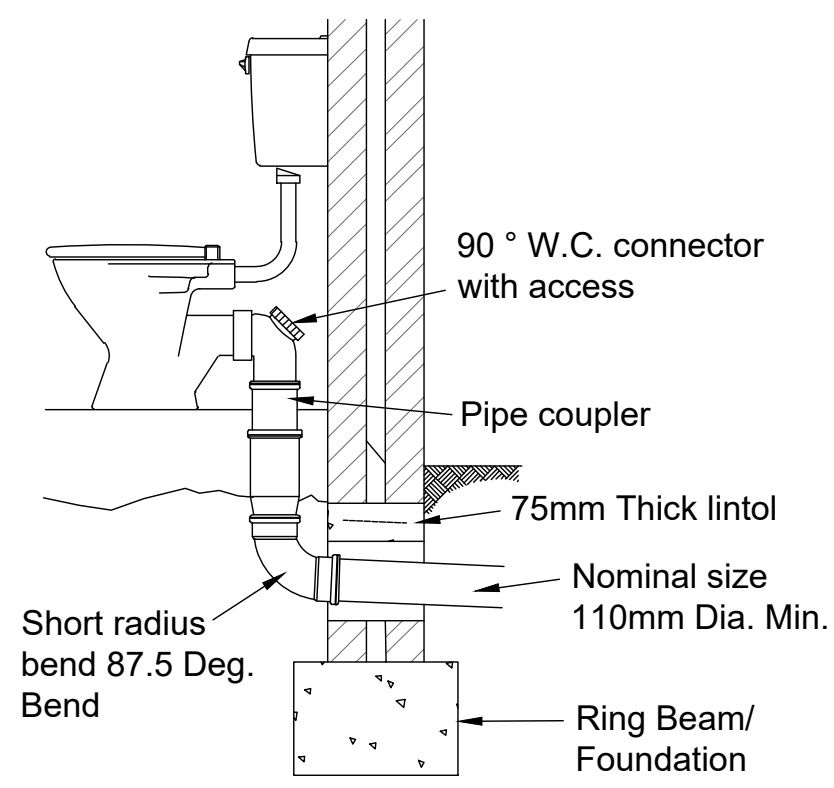


DO NOT SCALE

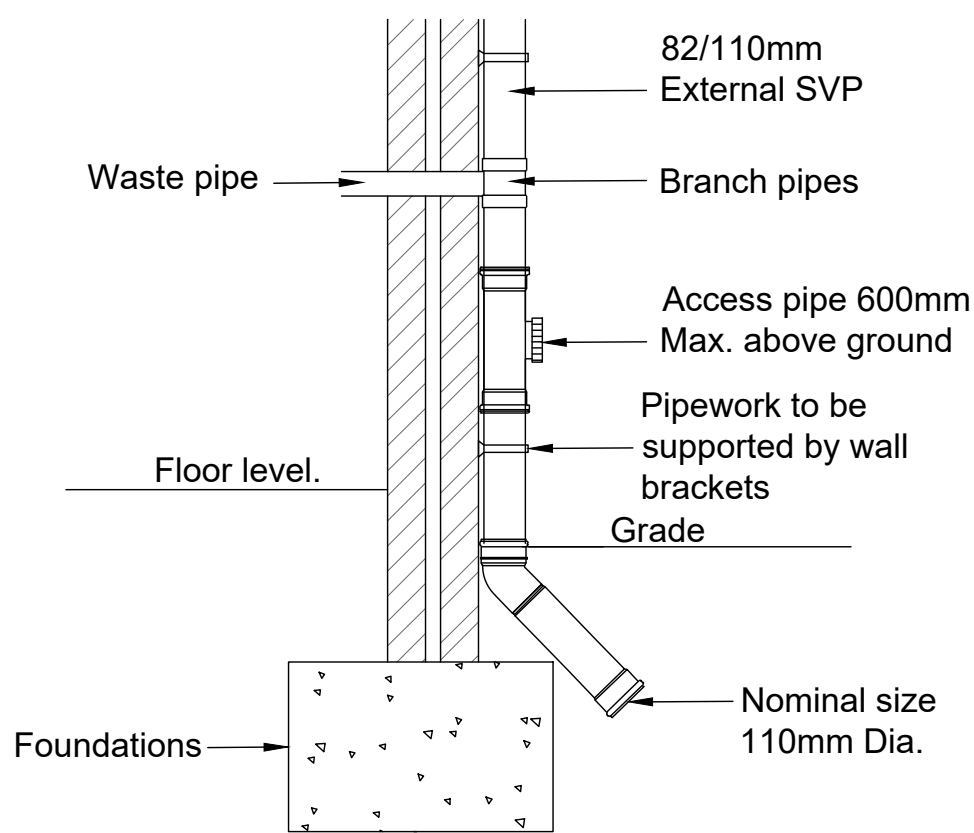
NOTES:

1. Drainage design and construction to be in accordance with Sewers for Adoption 7th Edition and the requirements of the statutory undertaker.
2. 100mm diameter plastic pipe shall comply with the relevant provisions of BS EN 1401-1, BS EN 1852 and BS EN 12666-1, thermoplastic chambers and rings shall comply with BS EN 13598-1 and BS EN 13598-2 and be kite marked.
3. All pipes running through walls to have at least 50mm clearance all round and the opening masked with rigid sheet material.

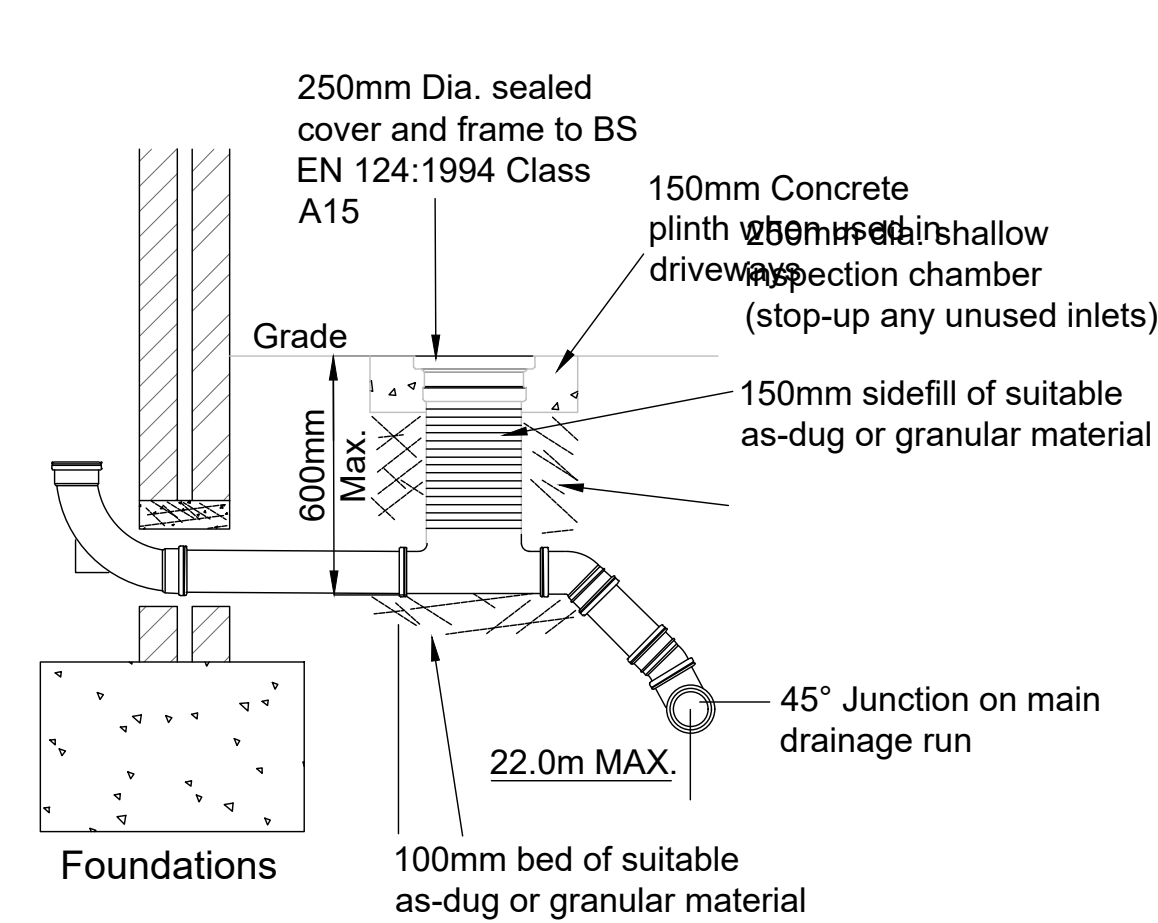
**NOTE:-**  
FOR MINIMUM MANHOLE DIMENSIONS REFER TABLE 12 ON DRG No. 106.  
ALL DETAILS IN STRICT ACCORDANCE WITH SEWERS FOR ADOPTION 7th EDITION



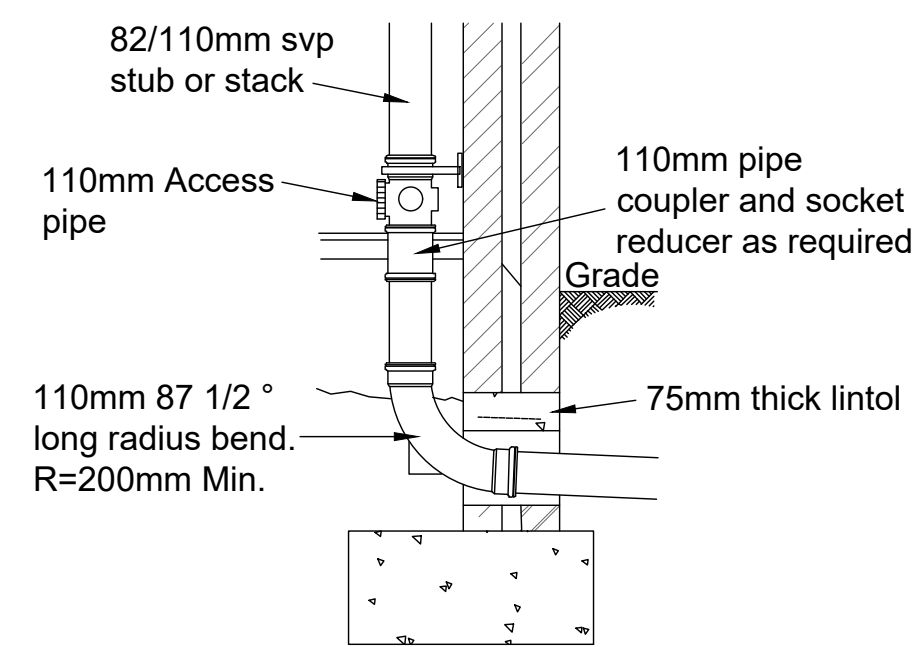
W.C. DIRECT TO DRAIN



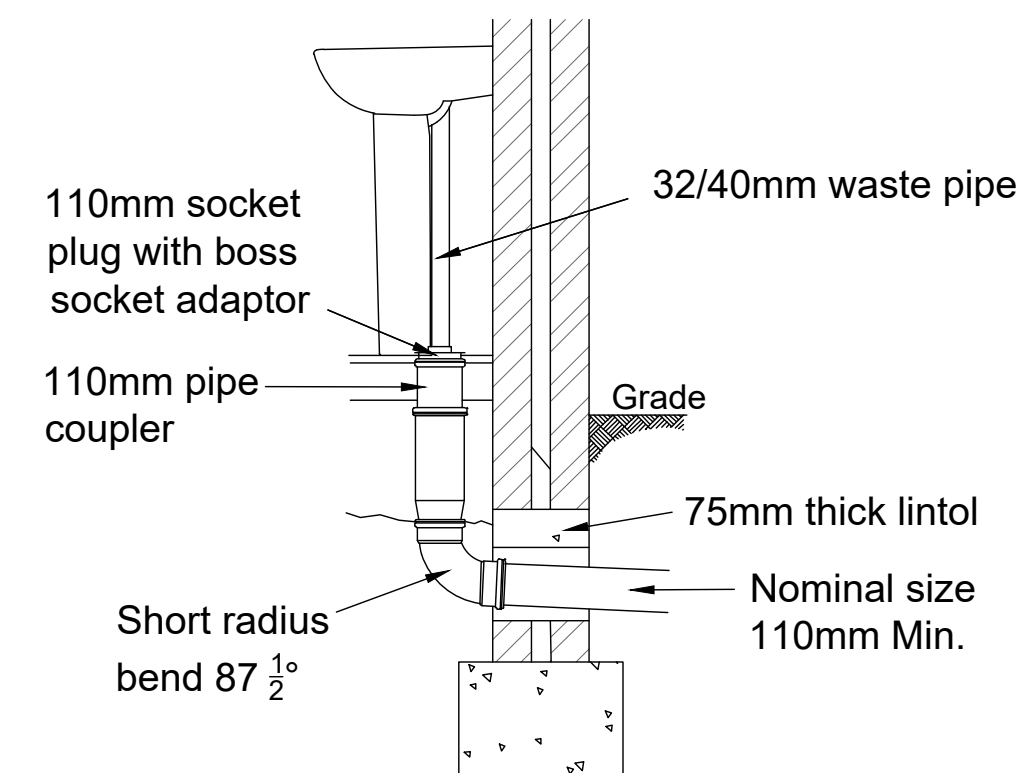
EXTERNAL SOIL STACK



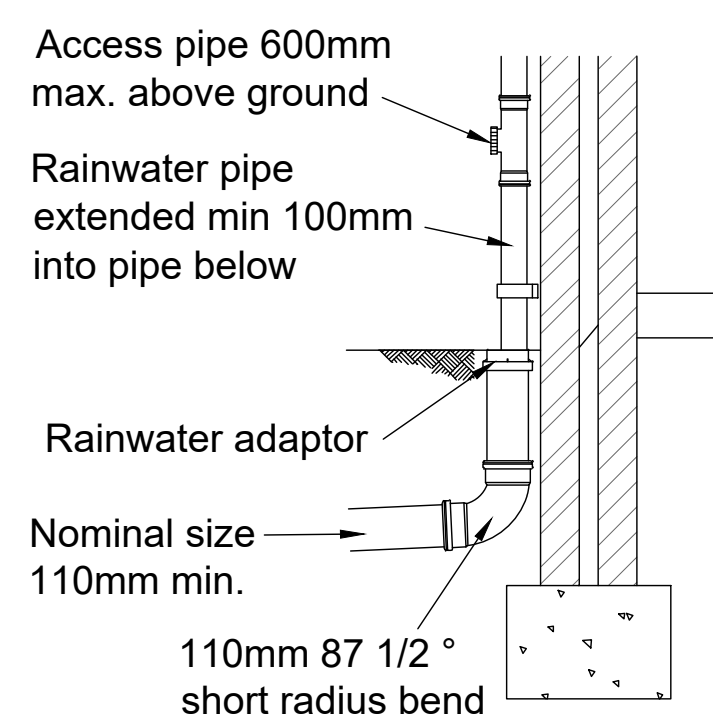
SHALLOW INSPECTION CHAMBER  
For use in soft areas & driveways only



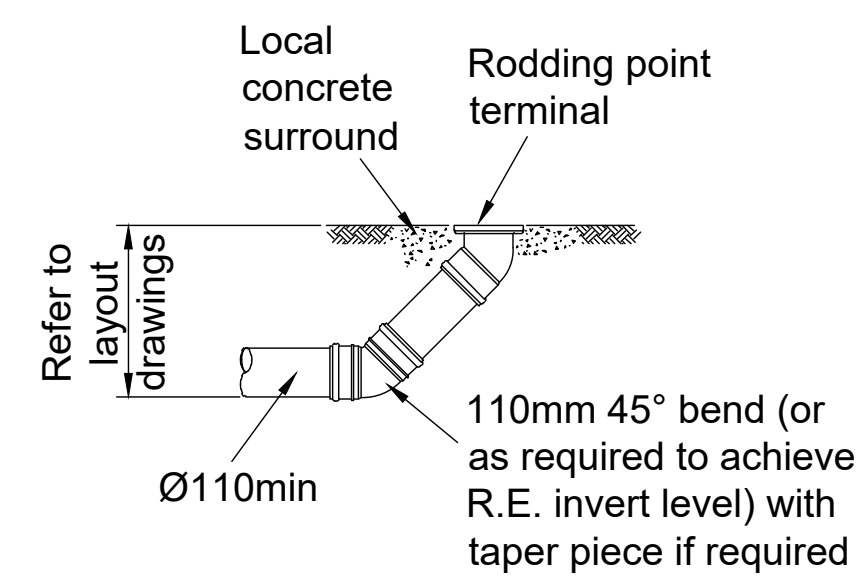
SOIL AND VENT PIPE CONNECTION AND STUB STACK CONNECTION



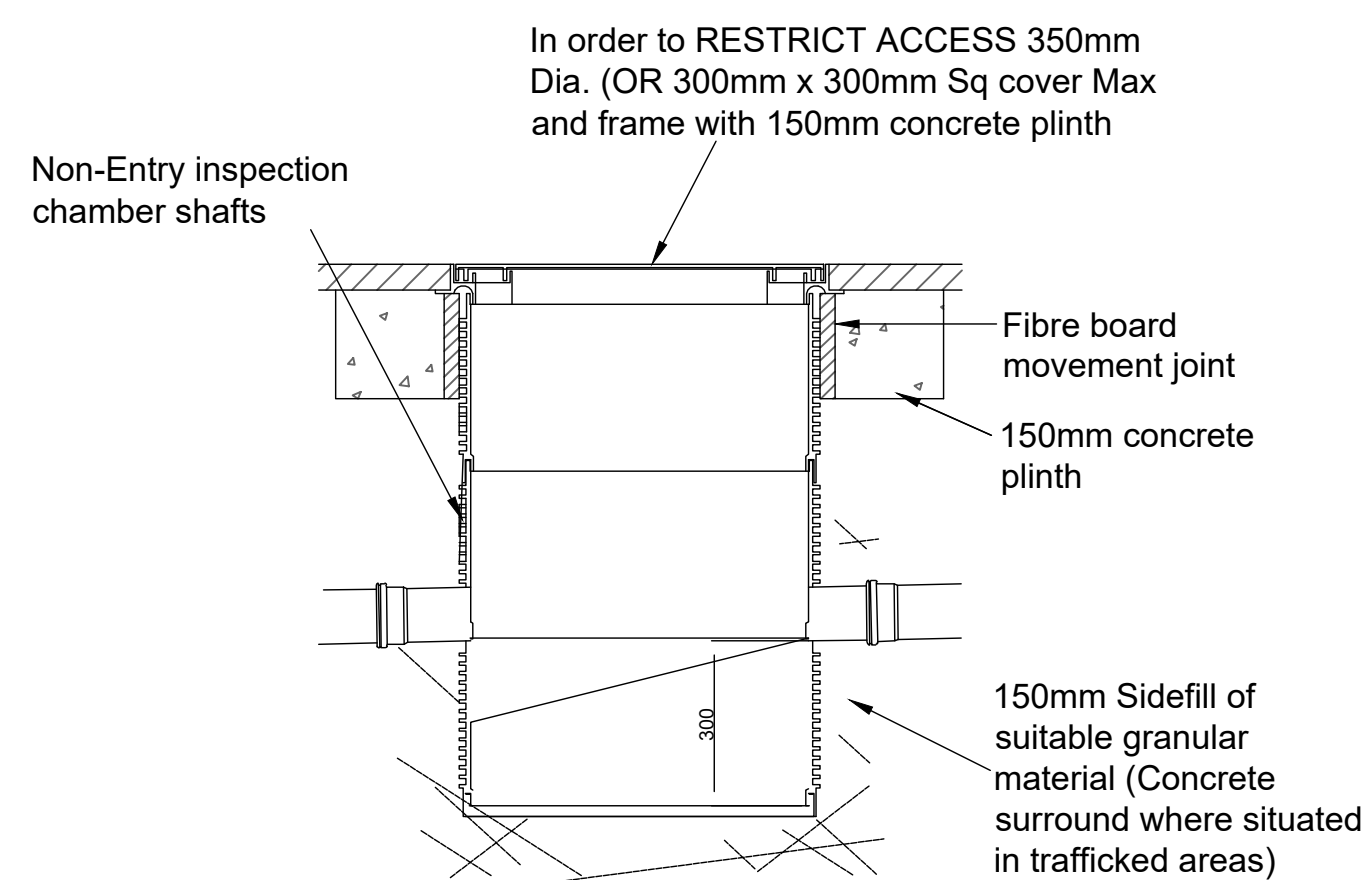
INTERNAL WASTE PIPE CONNECTION



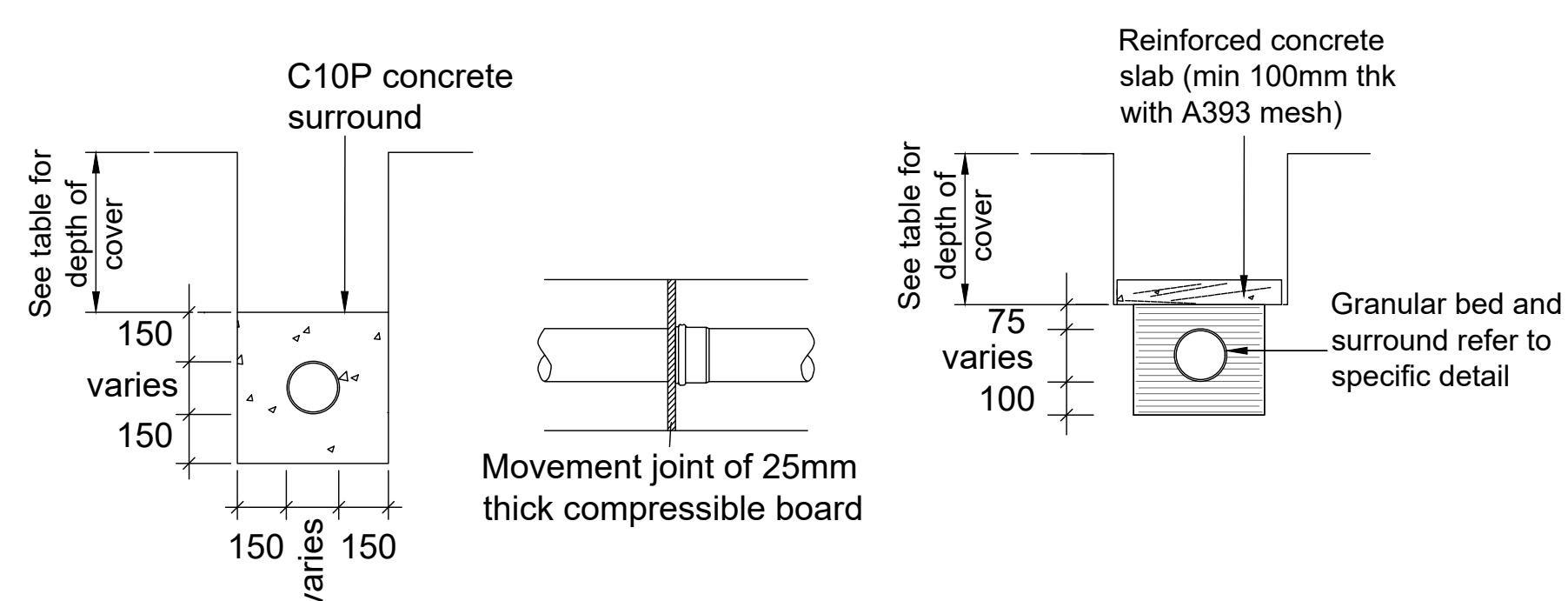
EXTERNAL R.W.P. TO DRAIN



RODDING EYE

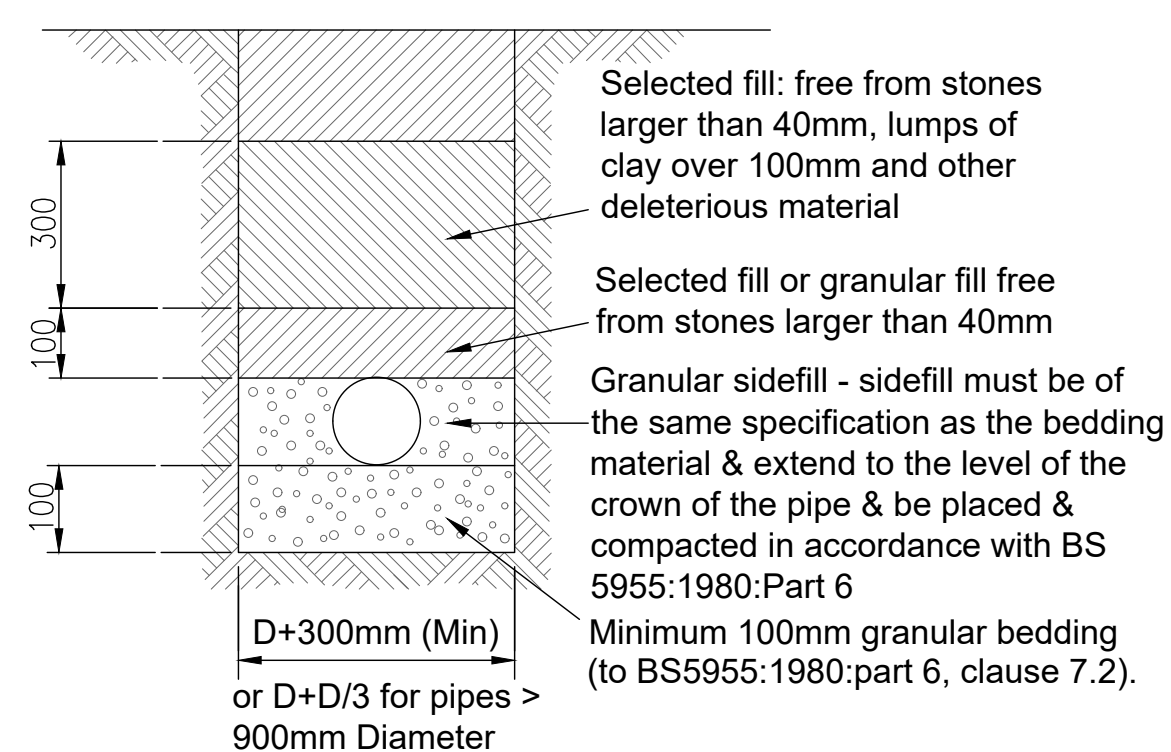


CATCHPIT

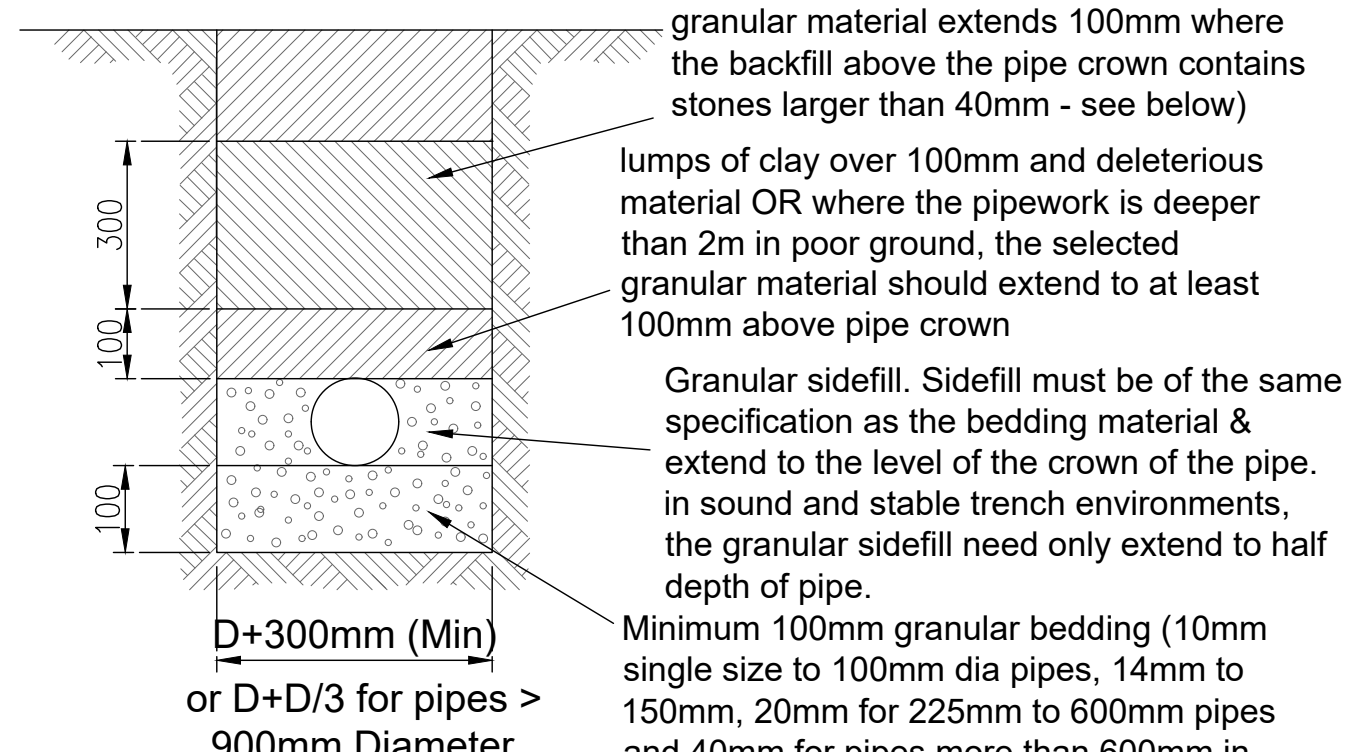


SPECIAL PROTECTION-GROUND LOADS (H1, DIAG'S 11 & 12)

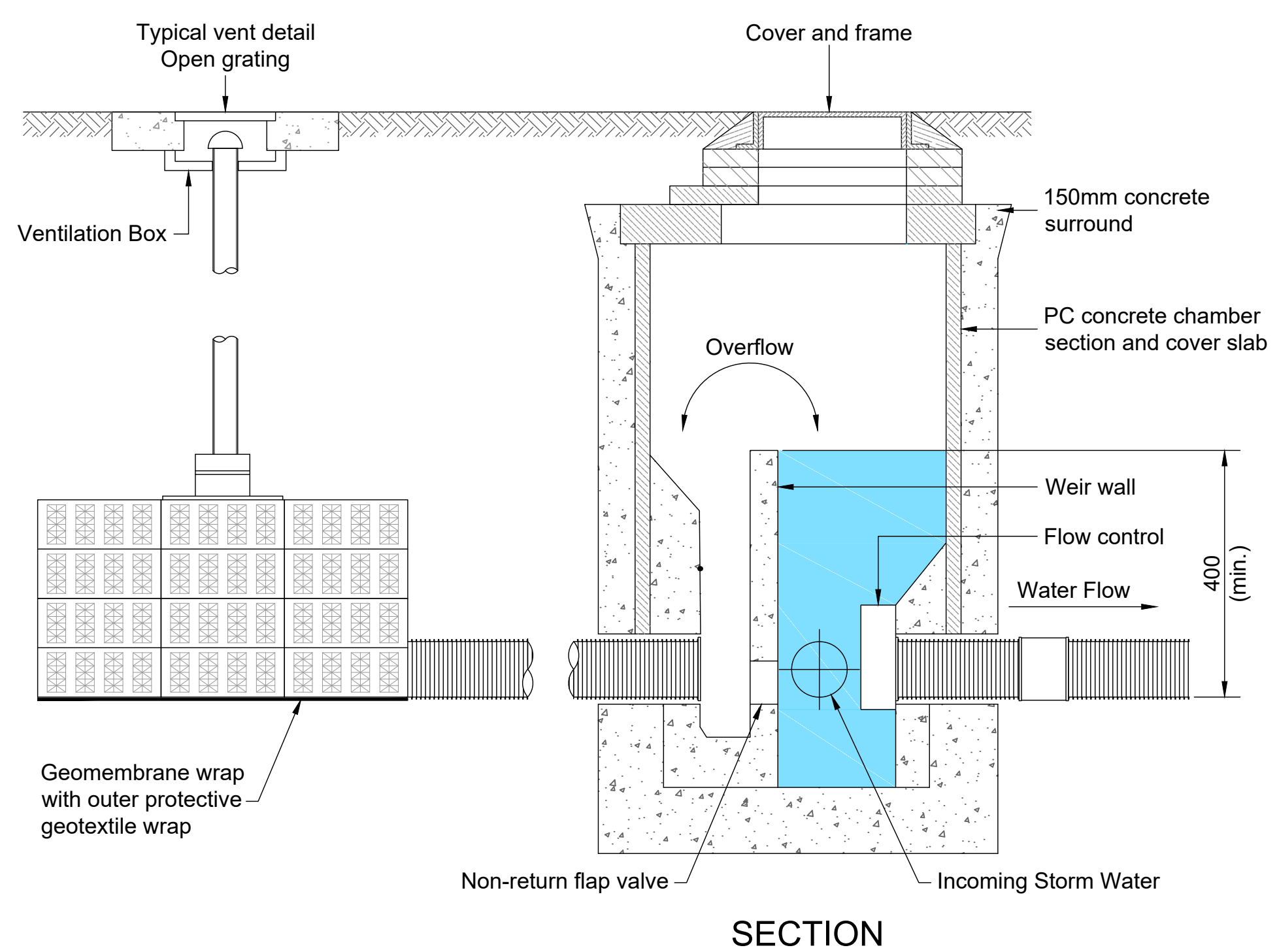
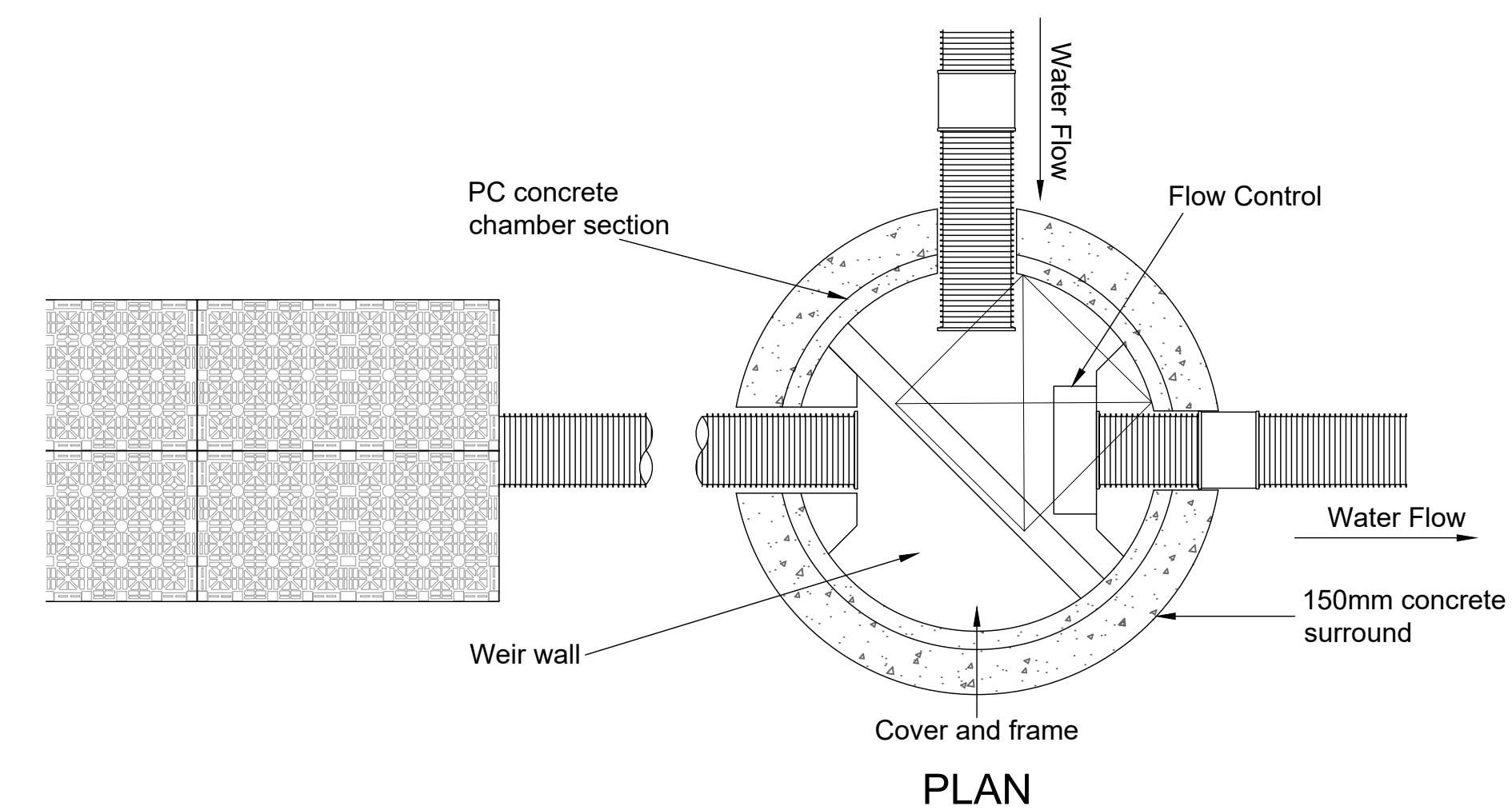
**Depths of cover requiring special protection**  
Less than 600mm, Gardens & Grassed Areas  
Less than 900mm, Roads, Drives & Parking Areas



BEDDING DETAIL FOR uPVC PIPES



CLASS B : BEDDING FACTOR 1.9  
FOR USE WITH CONCRETE & CLAY PIPES



TYPICAL FLOW CONTROL DETAILS  
(MANHOLES S.01, S.03.2 & S.05.1)

REV	DATE	BY	DESCRIPTION	CHK	APPD

DRAWING STATUS:

**HCE**  
Civil Engineering  
Structural Engineering  
Structural Surveys  
Project Management  
Petrochemical

HCE Limited  
Canolfan Gorseion Centre  
Millers Drive  
Gorseion  
SA4 4QN  
Tel: 01792 805010  
Email: info@hcelimited.com  
Web: www.hcelimited.com

CLIENT: **RPM Ltd**

ARCHITECT: **THOMAS LOGIN ARCHITECTURE**

PROJECT: **MARGAM TRUCK STOP  
TYN Y CAEU, MARGAM**

TITLE: **DOMESTIC DRAINAGE DETAILS  
STANDARD DRAINAGE DETAILS SHEET 3**

SCALE @ A1: N.T.S. CHECKED: IH APPROVED: IH

CAD FILE: HCE-1374-SK04 DESIGN DRAWN: ML DATE: May 2020

PROJECT No: 1374 DRAWING No: SK04 REV: R02