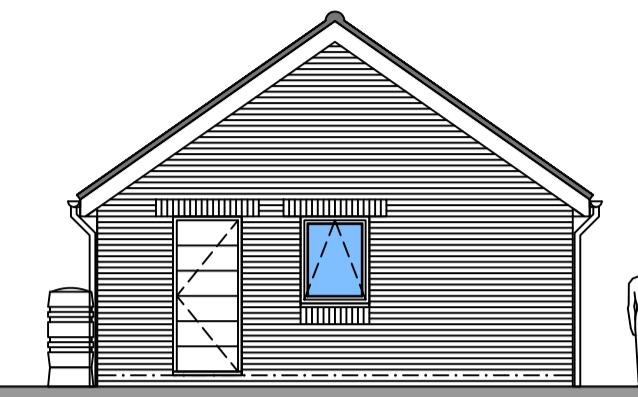
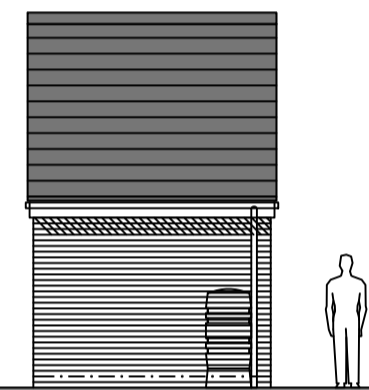


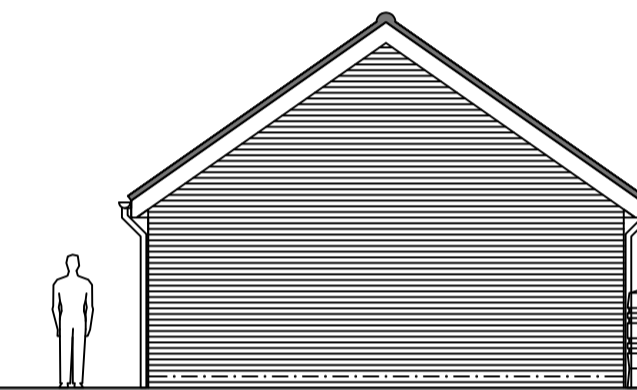
2.20 Front Elevation



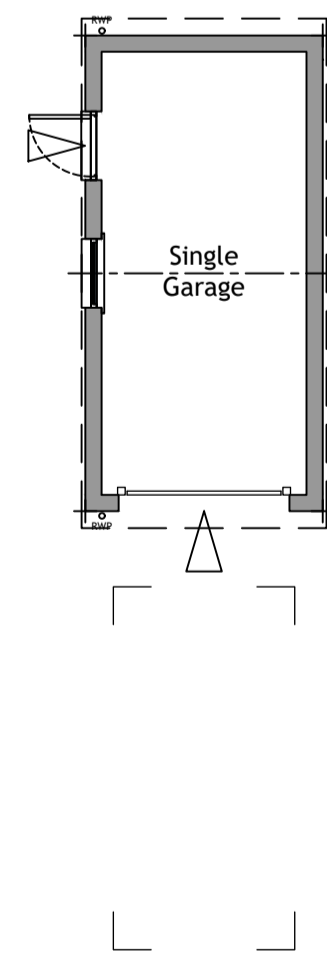
2.21 Left Hand Side Elevation



2.22 Rear Elevation



2.23 Right Hand Side Elevation



2.10 Ground Floor Plan

Useful Information

Plots	
11, 20, 21, 22, 23 and 24	
Width	Depth
3.140 m	6.290 m
Area	
15.9 m ²	171.1 ft ²

A 7 July 2021, PAC SUBMISSION, dpp

Rev Date, Description and Initials

Amendments

Client

Meadow Lane (Hirwaun) Limited
65 Station Road, Port Talbot, SA13 1NW

Project Title

Proposed Residential Development
Land Adjacent to Bryngelli Ind Est,
Meadow Lane, Hirwaun, CF44 9PT

Drawing Title

Urban Collection - Men A LH
G1.1 - Proposed Single Garage / D
Plans and Elevations
A Brickwork

Scale

1:100 @ A1
1:200 @ A3

Drawn

Daryn Parfitt

Date

January 2021

Checked

Daryn Parfitt



HEPS Architecture

Urban Design
Architecture
Interiors
Landscape
Procurement

07486 627815
03333 209966

mail@heps360.com
heps360.com

Birmingham | Cardiff | Swindon | Totnes

DO NOT SCALE: Detailed drawings and larger scale drawings take precedence.
DIMENSIONS: The Builder is to check and verify all building and site dimensions, levels and sewer invert levels at connection points before work starts. All dimensions to be checked prior to the placement of materials or the fabrication of work and any discrepancy, omission or error must be reported immediately.

SPECIFICATION: The Builder is to comply with current Building Legislation, British Standard Specifications, Buildings Regulations etc. Whether or not specifically stated on this drawing. This drawing must be checked against any structural, geotechnical or other specialist documentation provided. Where the contractor substitutes materials specified by HEPS, these will not be paid for unless agreed in writing.

TREES: Where trees are shown to be retained they should be subject to a full Arboricultural Inspection for safety. Proposed trees must be planted a minimum 5m from buildings and 3m from any utility. A suitable method of foundation is to be provided to accommodate the proposed tree planting.

RETENTION OF TITLE: Ownership of and Copyright in the Designs shown on this Plan remains vested in HEPS. The client is licensed to use the Designs for the purpose for which they were produced on payment to HEPS of the costs of preparation on the Plans and Designs.

COPYRIGHT: This drawing is the property of HEPS and can not be copied, reproduced, distributed or amended without the prior written consent of HEPS. No liability will be accepted for amendments made by others.

Project Number / Building Reference

HA 202002251900 dpp

Drawing Number	Revision
G1.1 LH 2.0 A	A